

# NSK-RM Linear Table



FEATURES

- **Motorless Design**
- **Stroke Length: 250-950mm**
- **Ball Screw Lead: 10 or 20mm**
- **Payload up to 40kg**
- **Backlash: 0.005mm**
- **NEMA and Metric Motor Compatible**
- **Fully Covered Aluminum Casing with Belts to Eliminate Contaminates**
- **Optional Limit Sensor, Module Mounting Plates, and Motor Mounting Kits**

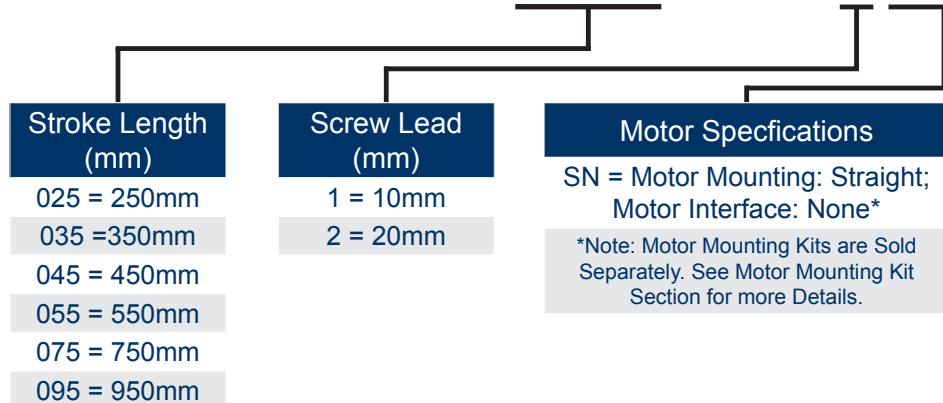


DESCRIPTION

Anaheim Automation offers a line of top-quality linear tables, supplied by one of the industry's leading manufacturers, NSK. These linear tables offer high precision, unsurpassed performance, and maintenance-free operation for as long as 5 years or 50,000km. The NSK-RM Linear Table series is offered stroke lengths up to 950mm, ball screw lead of 10 or 20mm, and payloads up to 40kg. Optional sensor kits and module mounting plates are available as customization options. NEMA 23, 32 or Metric Motor Interfaces are sold separate. Anaheim Automation is happy to assist in the selection, installation, and troubleshooting of these linear tables; contact one of our Applications Engineers for information.

ORDERING INFORMATION

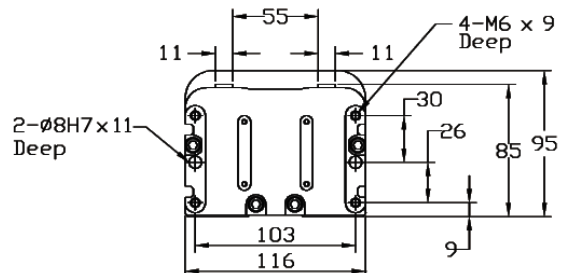
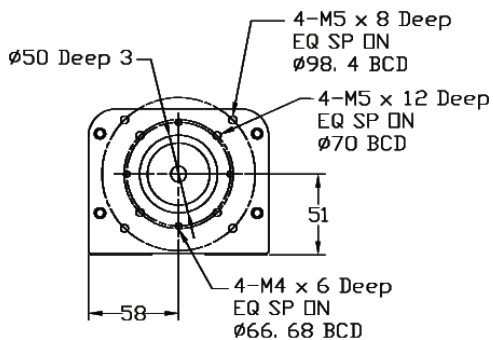
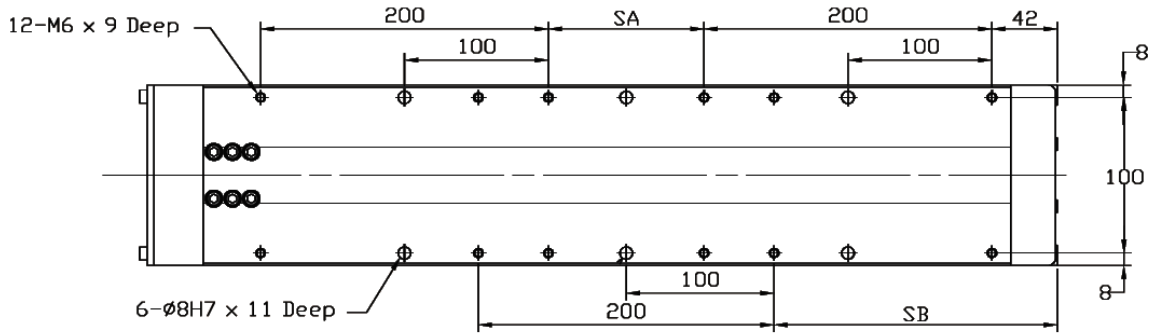
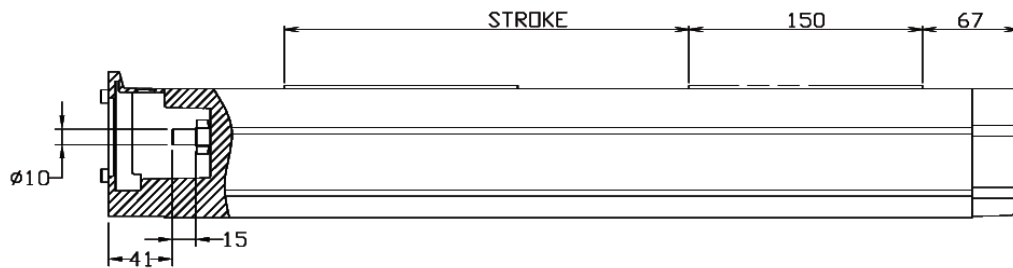
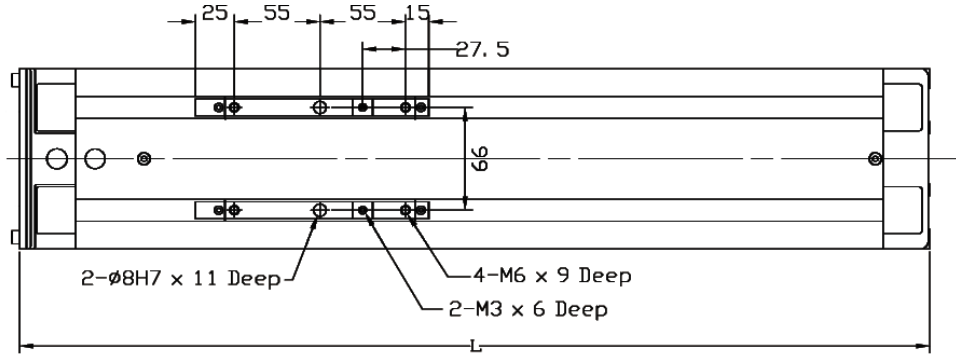
## NSK-XY-HRS025-RS2SNF



L011135

RM Module													
Reference Number	Nominal Stroke (mm)	Stroke Limit +/- (2mm)	Ball Screw Lead (mm)	L (mm)	SA (mm)	SB (mm)	Speed Max (mm/s)	Inertia (kg-m)	Breakaway Torque (N-m)	Mass (Kg)	Payload (kg)		Backlash (mm)
											Horiz.	Vert.	
NSK-XY-HRS025-RM1SNF	250	260	10	586	70	177	778	3.50E-05	0.26	9.5	40	40	.005
NSK-XY-HRS025-RM1SNF	250	260	20	586	70	177	1556	4.83E-05	0.39	9.0	40	20	.005
NSK-XY-HRS035-RM1SNF	350	360	10	686	170	227	778	3.89E-05	0.26	10.5	40	40	.005
NSK-XY-HRS035-RM1SNF	350	360	20	686	170	227	1556	5.22E-05	0.39	10.0	40	20	.005
NSK-XY-HRS045-RM1SNF	450	460	10	786	270	277	778	4.28E-05	0.26	11.5	40	40	.005
NSK-XY-HRS045-RM1SNF	450	460	20	786	270	277	1556	5.61E-05	0.39	11.0	40	20	.005
NSK-XY-HRS055-RM1SNF	550	560	10	886	370	327	778	4.67E-05	0.26	12.5	40	40	.005
NSK-XY-HRS055-RM1SNF	550	560	20	886	370	327	1556	6.00E-05	0.39	12.0	40	20	.005
NSK-XY-HRS075-RM1SNF	750	760	10	1086	570	427	650	5.45E-05	0.26	15.5	40	40	.005
NSK-XY-HRS075-RM1SNF	750	760	20	1086	570	427	1300	6.78E-05	0.39	15.0	40	20	.005
NSK-XY-HRS095-RM1SNF	950	960	10	1286	770	527	583	1.72E-04	0.26	17.5	40	40	.005
NSK-XY-HRS095-RM1SNF	950	960	20	1286	770	527	1167	1.79E-04	0.39	17.0	40	20	.005

Linear Guide Moment Capacities (Nm)		
Rolling Moment	Pitching Moment	Yawing Moment
70	120	120



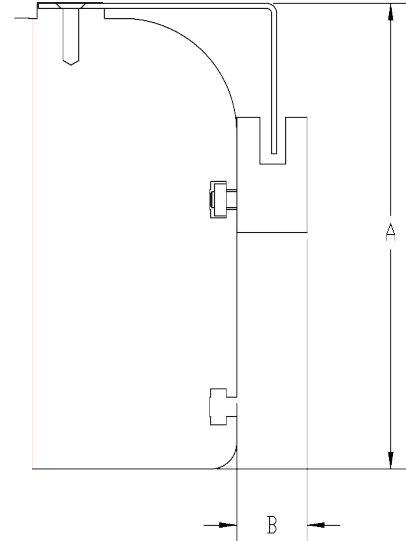
All units are in mm



**Limit Sensor Kit:**

**RM Module: NSK-XY-L3543RM**

- Qty 1 - Module Limit Sensor Flag (S or M)
- Qty 3 - Limit Sensor (Omron EE-SX672A)
- Qty 3 - Limit Sensor Cable with Connector, 2m long (Omron EE-1010-R2M)
- Qty 3 - Limit Sensor T-Slot
- Qty 6 - M3 x 8 Socket Head Cap Screw
- Qty 1 - M3 x 6 Flat Head Screw

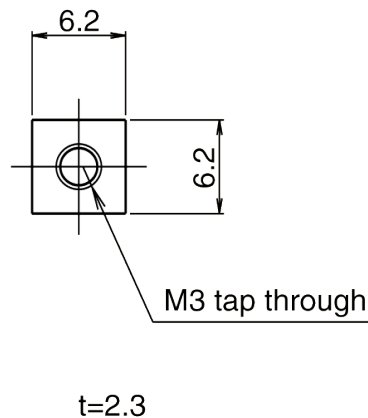


MODULE CROSS SECTION		
	Dimension A	Dimension B
RM MODULE	85mm	14mm

**Square Nut:**

**NSK-XY-P170M3-1**

- This nut is used to secure accessories to the side of the module
- Nuts are supplied in sets of 4





*Note: The RM Module does not come installed with a Metric or NEMA motor mount based on Motor Specifications. Choose from of the options below.*

**NSK-XY-P5586RM - NEMA 23 1/4" Motor Kit**

- NEMA 23 Motor Adapter Ring
- Jaw Type Shaft Coupling, 10mm x 1/4" x 47.6mm
- Disk Type Shaft Coupling, 10mm x 1/4" x 44.5mm
- Qty 4, M4 x 8 Socket Head Cap Screw

**NSK-XY-P5718RM - NEMA 34 1/2" Motor Kit**

- NEMA 34 Motor Adapter Ring
- Jaw Type Shaft Coupling, 10mm x 1/2" x 47.6mm
- Disk Type Shaft Coupling, 10mm x 1/2" x 44.5mm
- Qty 4, M5 x 16 Socket Head Cap Screw

**NSK-XY-P5587RM - NEMA 34 3/8" Motor Kit**

- NEMA 34 Motor Adapter Ring
- Jaw Type Shaft Coupling, 10mm x 3/8" x 47.6mm
- Disk Type Shaft Coupling, 10mm x 3/8" x 44.5mm
- Qty 4, M5 x 16 Socket Head Cap Screw

**NSK-XY-P5717RM - NEMA 23 3/8" Motor Kit**

- NEMA 23 Motor Adapter Ring
- Jaw Type Shaft Coupling, 10mm x 3/8" x 47.6mm
- Disk Type Shaft Coupling, 10mm x 3/8" x 44.5mm
- Qty 4, M4 x 8 Socket Head Cap Screw

**NSK-XY-P5588RM - 60mm Frame Metric Motor Kit**

- Jaw Type Shaft Coupling, 10mm x 14mm x 47.6mm
- Disk Type Shaft Coupling, 10mm x 14mm x 44.5mm
- Qty 4, M5 x 16 Socket Head Cap Screw